

P12V-18K radio remote control

18-channel relay remote control with a 24cm antenna.

The remote control can be programmed to the receiver with one of four modes.

When using several pilots, we recommend that you program them all in the same mode!

-With different modes, the controller will work in the mode of the last pilot.

1- On/off mode - pressing the button on the remote control turns on the corresponding relay. Pressing the same button again turns the relay off. The channels work independently.

They can be freely switched on and off independently.

2-Momentary mode - pressing the button on the remote control causes switching on the corresponding relay for the duration of holding the button. (factory setting).

3-Flip-flop mode - pressing a button on the remote control turns on the corresponding relay and turns off all other channels at the same time. Pressing the same button again does nothing. In this mode, only one relay is always on.

Relays are "flipped" simultaneously - they are dependent on each other.

4-Mixed Mode - NEW!

In this mode, relays 1-9 work in on/off mode, and relays 10-18 in momentary mode.

Parameters:

1- a maximum of 3 remote controls can be programmed to the controller, (when programming the fourth, the first one falls out.)

2-The range of the remote control with the antenna is up to 1000m with the antenna in the remote control deployed.

3-Current consumption - max 600mA (with all channels switched on).

4-Relay load capacity: 20A/14VDC, 10A/120VAC.

5-At each relay there is a lighted control diode.

Programming the remote control in a given mode:

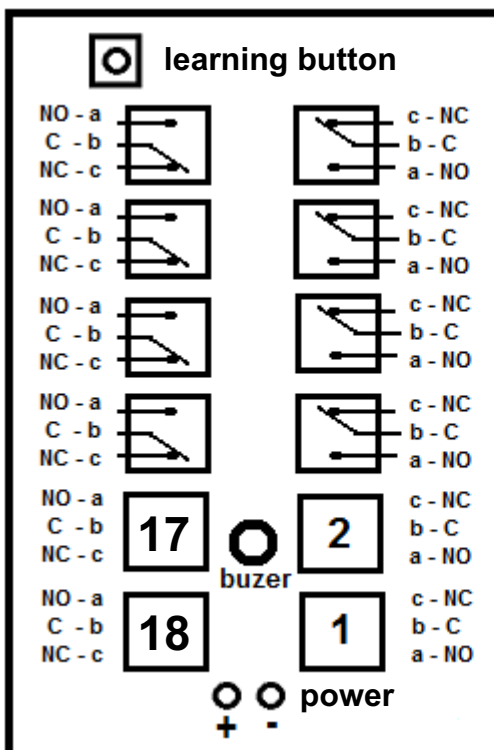
1-Press the learning button in the controller for a moment - the buzzer beeps once, then see point 2

2-By pressing the appropriate button of the memorized remote control for the selected operating mode

1-on/off mode, **2-**momentary mode, **3-**flip-flop mode, **4-**mixed mode, **5-18** Momentary mode.

Deletion of remotes (all) - press the learning button in the controller for 10 sec.

The LED next to the relay will go out - which confirms that the remote control has been deleted.



NOTE: The controllers require VDC power supply - stabilized constant voltage. It is unacceptable to supply power from a transformer with a Graetz bridge without additional stabilization.



Common contact C is connected with NC, NO contact is open.



The common contact C is connected with NO, the NC contact is open.